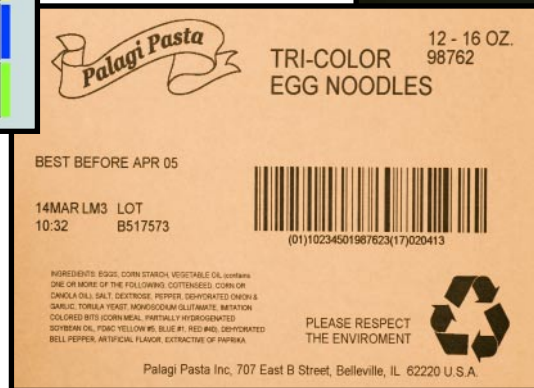


We Build Confidence...
In High-Resolution Large Character Printing

- **High-resolution large character and bar code printing eliminates the need for pre-printed cartons**
- **Windows CE® -based intuitive, graphical, icon-based interface**
- **Line speeds up to 200 feet per minute (61 m/min.)**
- **Print resolutions up to 300 x 150 dpi in real world environments**
- **Off-line message creation/transfer and multiple security levels eliminate errors**



Get confident. Contact us today.

The most advanced system for carton coding solutions

Introducing the Marsh Encore™ printer

The Marsh Encore system combines high resolution printing with a highly advanced user interface, making message creation quick, easy and practically error-free. The Marsh Encore printer also delivers print resolutions up to 300 x 150 dpi, providing you the flexibility of on-line coding with pre-printed quality.



640 x 480 VGA color LCD display with 7.7 inch (19.6 cm) diagonal screen

NEMA 4 / IP65 rated cabinet

Connector for external mouse or keyboard

Lightweight — 18 lbs. (8.1 kg)

Membrane keypad with PC style layout

A familiar operating system that can also run on a PC

The Marsh Encore controller software is designed for the Windows CE® operating system. The controller software can be readily run from a remote PC, allowing codes to be created off-line and then downloaded to single or multiple controllers via Ethernet or RS-232 connections. You can also create a centralized database of messages from which codes and graphics can be accessed and stored. To reduce message selection errors, you can connect a bar code scanner to enter variable data or load messages.



High-resolution printing eliminates the need for pre-printed cartons

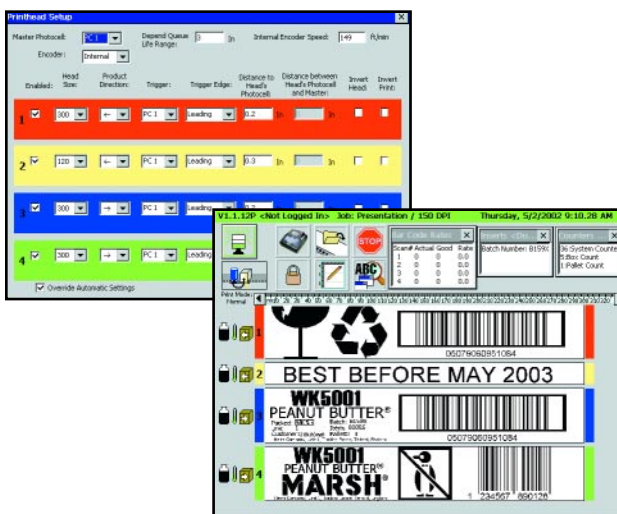
The Marsh Encore system supports two printheads — EN120 (.8", 20mm) and the EN300 (2", 51mm) — to deliver on-line printing of graphics bar codes and True Type® fonts with character heights from 1/16" (1.5mm) to 2" (51mm) for full generic case coding, eliminating the need for pre-printed cartons or providing flexibility of dynamic printing of blank shippers.



Intuitive, graphical, icon-based interface with WYSIWYG image editor

With the Marsh Encore controller interface, message creation is fast and easy to learn. Drag-and-drop editing tools with cut and paste features and group alignment make creating messages a snap. The WYSIWYG image editor minimizes the risk of error.

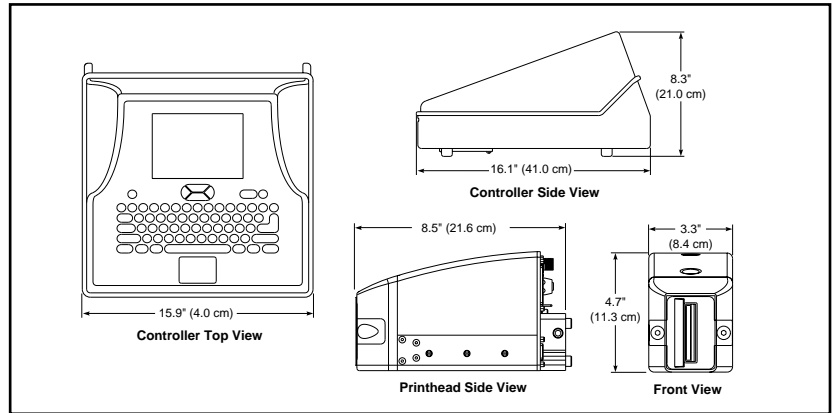
Advanced options allow users to customize date and time formats, as well as alpha and shift codes, making the system flexible enough to address any customer specific requirements.



The power to perform

The Marsh Encore system represents the next level in Videojet's printing technology through the use of an advanced user interface with full resolution image control and increased processing power. The Encore system is extremely versatile, and its processing power provides fast message changeover, even when using external devices to initiate message call-ups.





Specifications

Power Requirements

115 to 230 VAC at 50/60 Hz

Environment

40° - 120° F (4.4° - 49° C)

Cabinet

Nema 12 / IP51 stainless option

Maximum Line Speed

Alphanumeric: 200 fpm (61mpm)

Bar codes, graphics: 150 fpm (45 mpm)

Print Resolution

Up to 150 dpi vertical

Up to 300 dpi horizontal, depending on line speed

Character Heights

1/16" (1.5 mm) min.

2" (51 mm) max.

Message Content

True Type® fonts, up to 32 lines of print depending on font selected

Bar codes; Graphics

Bar code Symbolologies

Code 128; UCC/EAN128; Code 39;

I 2 of 5; I 2 of 5 UCC/EAN; UPC-A;

EAN-13

Print Orientation

Horizontal, up, or down

Printheads

Encore Series: EN120, .8" (20 mm) high

EN300, 2" (51 mm) high

Distance to print surface

Up to .25" (6.3 mm)

Housing

Controller – Cast aluminum

Printheads – Metal and stainless steel

Input Device

Membrane with tactile feedback,

PC style layout

Display

640 x 480 VGA Color LCD, 7.7" (19.5 cm)

measured diagonally

Message Storage

Controller: 64MB for message, font, and

graphic storage

233 MHz single board computer

Data Interface

Ethernet or RS232

PC software requirements

Windows® 95, 98, NT, 2000

Dimensions

Controller: 16.1" (41 cm) long x 5.9"

(40 cm) wide x 8.3" (21 cm) high

Printhead: 8.5" (21.6 cm) long x 3.3"

(8.4 cm) wide x 4.7" (11.3cm) high

Weight

Controller – 18 lbs. (6.8 kg)

Printhead – 5.7 lbs. (2.5 kg)

Ink System

Capillary feed 13 oz. (382 ml) reservoir

Inks Available

Series 2000

Black, Red, Green, Blue

© 2003 Videojet Technologies Inc. – All rights reserved. Videojet Technologies Inc.'s policy is one of continued product improvement. We reserve the right to alter design and/or specifications without notice. Videojet and Marsh are registered trademarks and Marsh Encore is a trademark of Videojet Technologies Inc. Windows CE and Windows are registered trademarks of Microsoft Corporation. True Type is a registered trademark of Apple Computer, Inc.

CERTIFIED
ISO 9001
DOCUMENTED QUALITY



800-843-3610 • www.videojet.com • info@videojet.com

Videojet Technologies Inc. • 1500 Mittel Boulevard

Wood Dale IL • 60191-1073 • USA

Phone: 630-860-7300 • Fax: 630-616-3623

For additional information, contact your local Marsh product distributor at:

Part No. SL 000371
Encore-0703-US
Printed in U.S.A.